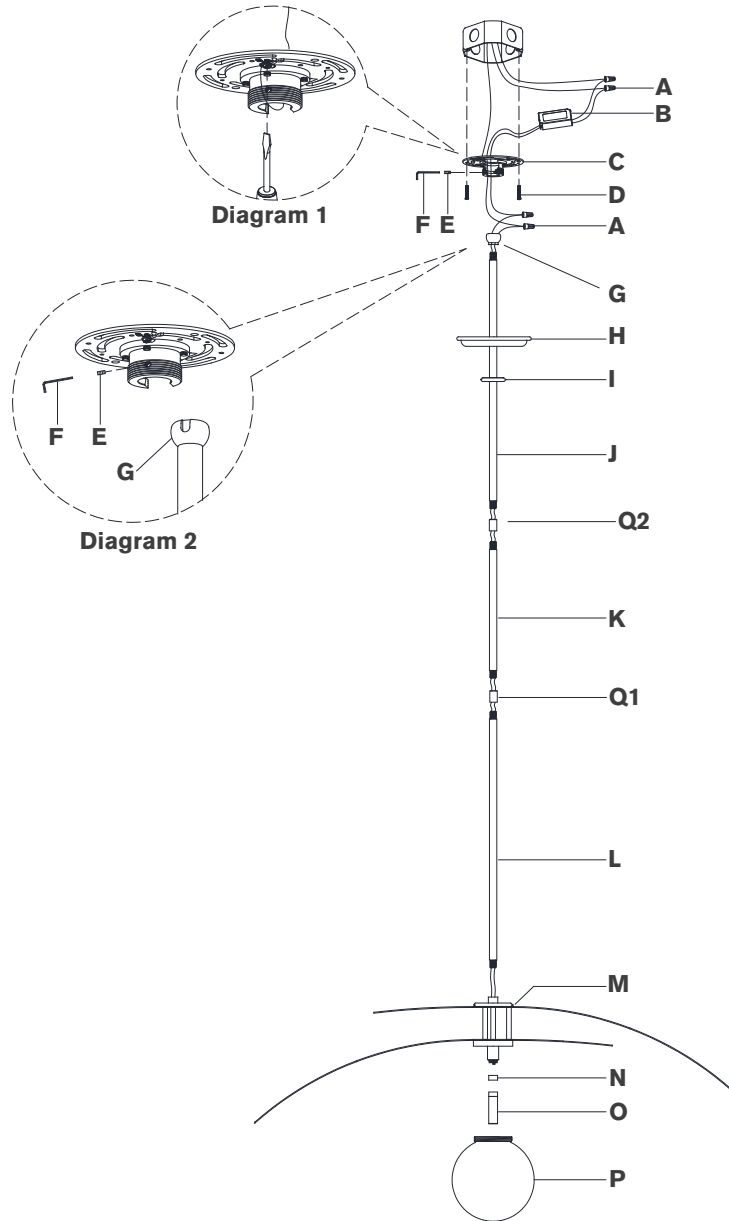


ASSEMBLY INSTRUCTIONS



Mahalo 32" Tiered Pendant

Item # WS 5050

NOTICE:

This light fixture should be installed in accordance with all applicable, local installation codes, and by a person familiar with the construction and operation of it, as well as the hazards involved. Inspect item and contents carefully. If any damage or defect is found, do not install. Retain all packaging material until installation is complete and approved.

TOOLS REQUIRED (NOT INCLUDED):

Phillips Screwdriver	Slotted Screwdriver	Wire Cutters
Wire Strippers	Slip-joint pliers	

1. Carefully remove all parts from the box. Place on a clean, soft surface.
2. Remove mounting plate **(C)** from canopy **(H)** by removing collar ring **(I)**.
3. Connect driver **(B)** input neutral wire (white) to the supply neutral wire (usually white) using wire nut **(A)**.
4. Connect driver **(B)** input hot wire (black) to the supply hot wire (usually black) using wire nut **(A)**.

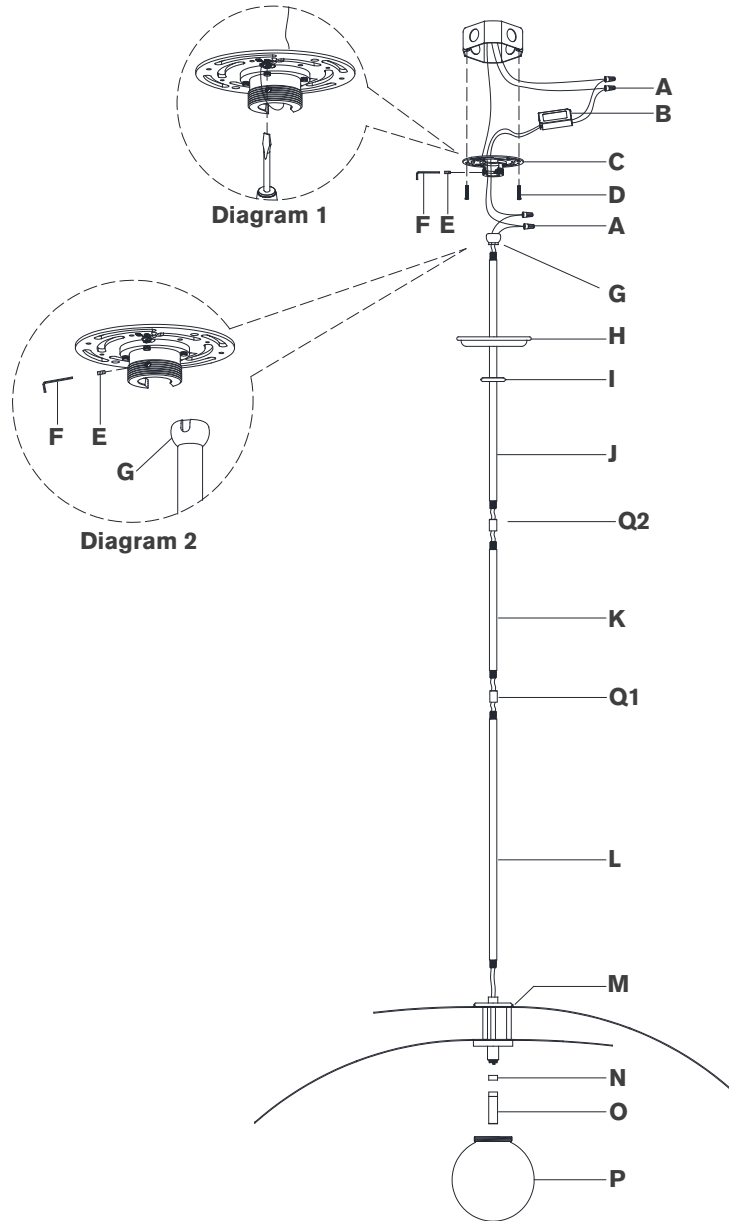
CAUTION: Do not reverse the hot and neutral connections.

5. Make sure all wire connections are tight, then carefully tuck into the junction box.
6. Insert driver **(B)** into junction box.
7. Install mounting plate **(C)** to the junction box and secure with mounting screws **(D)**.
8. Wrap supply ground wire (usually green or bare copper) around the green grounding screw (see diagram 1). Tighten.

NOTE: It is imperative that the fixture is grounded.

9. Feed fixture wires through rod **(L)**, then connect to fixture **(M)** and secure with coupling **(Q1)**. Repeat for rod **(K)**, connecting to coupling **(Q1)** and secure with coupling **(Q2)**.
10. Continue feeding fixture wires through rod **(J)**, collar ring **(I)** and canopy **(H)**.

ASSEMBLY INSTRUCTIONS



Mahalo 32" Tiered Pendant

Item # WS 5050

NOTICE:

This light fixture should be installed in accordance with all applicable, local installation codes, and by a person familiar with the construction and operation of it, as well as the hazards involved. Inspect item and contents carefully. If any damage or defect is found, do not install. Retain all packaging material until installation is complete and approved.

11. Holding fixture upright, slide collar ring **(I)**, canopy **(H)** down rods and rest on top of fixture. Then connect rod **(J)** to coupling **(Q2)**, securing with swivel ball **(G)**.

NOTE: Slide components down slowly to avoid damages.

12. Hang fixture swivel ball **(G)** to center of mounting plate **(C)** and secure with set screw **(E)** using provided wrench **(F)**. See diagram 2.
13. Cut excess wires, being sure to leave enough to reach the junction box. Separate wires, and strip insulation on each 5/8".
14. Connect fixture neutral wire (black) to driver **(B)** output wire (black) using wire nut **(A)**.
15. Connect fixture hot wire (red) to driver **(B)** output wire (red) using wire nut **(A)**.

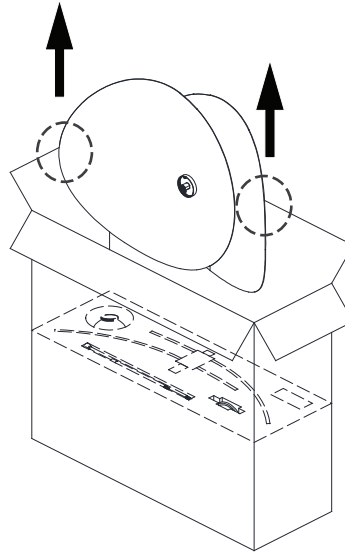
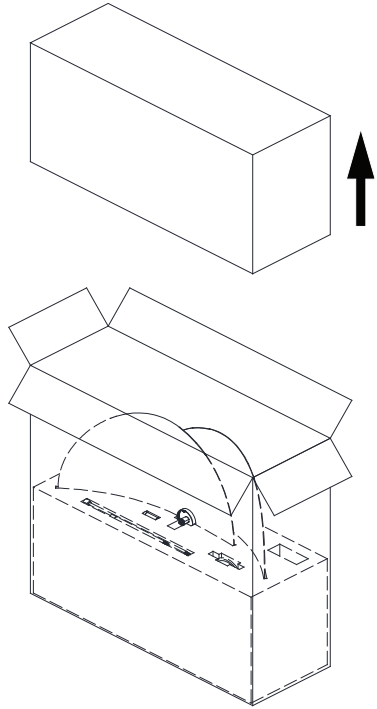
CAUTION: Do not reverse the hot and neutral connections.

16. Install canopy **(H)** to mounting plate **(B)** and secure with collar ring **(I)**.
17. Remove protective cap **(N)** from fixture **(M)** and discard, then thread LED light source **(O)** to fixture **(M)**.
18. Thread glass shade **(P)** to fixture **(M)**.

NOTE: Do not over-tighten otherwise glass could become damaged.

Care Instructions: Clean only with a soft dry cloth or feather duster. Do not use abrasive or chemical agents.

UNPACKING NOTICE



Mahalo 32" Tiered Pendant

Item # WS 5050

NOTICE:

Please follow instructions below to avoid possible damages caused by improper removal.

1. Open box and remove top layer of packaging.
2. Lift item shade in areas indicated by arrows (see diagram) and pull straight up until clear of packaging, then place on a clean, soft surface.
NOTE: Remove slowly to avoid damages.
3. Remove glass shade, rods and canopy.