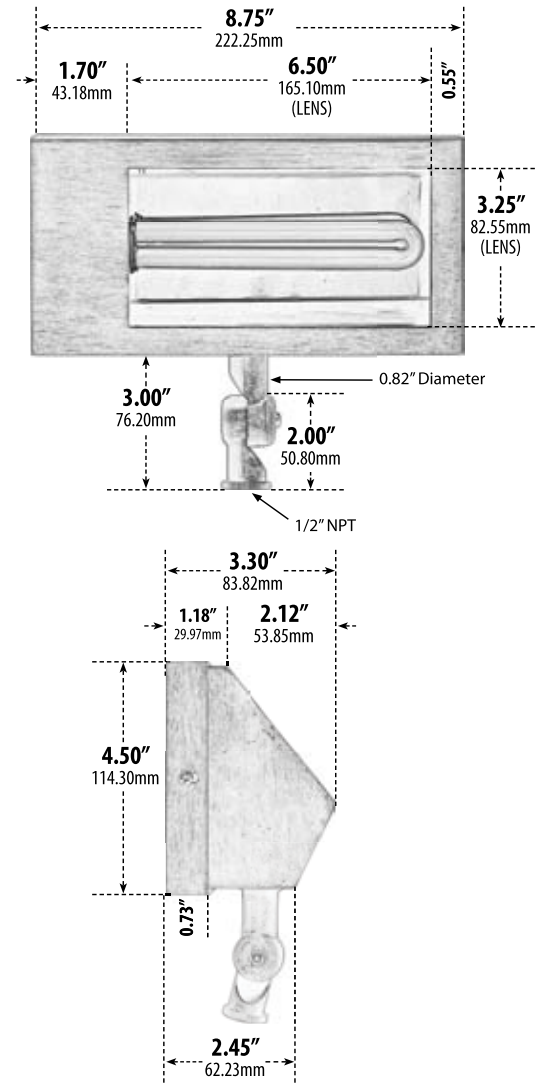


DF5600

AREA FLOOD LIGHT



- ▶ **Material:** Powder Coated Brass
- ▶ **Lens:** Clear Acrylic Lens
- ▶ **Lamp:** PL13 2-Pin

MODEL NUMBER	LAMP TYPE	ILLUMINANT TYPE	WATTS (W)	VOLTS (V)	LAMP(S) INCLUDED?
DF5600	PL13	FLUORESCENT	13	120	YES
DF-LED5600	PL-LED	LED	5	85-264	YES

- ▶ **Adjustable Knuckle with 1/2" NPT**
- ▶ **Ground Mounting Spikes:** LV-S6 (sold separately)
- ▶ **Available Color:** Black, White, Verde Green
- ▶ **ETL Approved**

Maximum Height: 7.75"
 Minimum Height: 3.50"
 Width: 8.75"
 Maximum Depth: 7.75"
 Minimum Depth: 3.30"
 Box Dimensions:
 9.00"W x 7.00"H x 3.50"D



DABMAR LIGHTING INCORPORATED

2140 Eastman Ave . Oxnard, CA 93030 . 805.604.9090 . f: 805.604.9050 . www.dabmar.com